

30 YEAR WARRANTY – VENT Systems Over Fascia Vents

Blue Building Solutions Australia Ltd. t/a VENT Systems warrants that VENT Systems Over Fascia Vents supplied by VENT Systems will retain their mechanical function for a period in excess of 30 years, under natural conditions, from the date of purchase. Provided the Over Fascia Vents are installed in accordance Design & Specification Guides supplied by VENT Systems.

VENT Systems warrants the VENT Systems Over Fascia Vents under the following terms & conditions:

- a. This warranty is given to consumers as defined in and who have the rights under Australian Consumer Law and should be read with the statutory consumer guarantees contained in that law.
- b. This warranty will apply to defects appearing within 30 years from the date of purchase & where notification of defects is received in writing within 28 Days of the defect appearing.
- c. Warranties will only be honoured if the VENT System products in question were installed, used and maintained in accordance with VENT System installation guides all of which are available on the VENT Systems website www.ventsystems.com.au
- d. Warranties will not apply to damage caused by external physical agents, accidental damage or other Force Majeure.
- e. The sole & exclusive remedy with regard to the above warranty is limited to the repair or supply of replacement profiles at VENT Systems discretion

This warranty shall be construed and interpreted in accordance with Australian Law and shall be subject to the jurisdiction of Australian Courts only.

This warranty does not affect the statutory rights of consumers.

VENT SYSTEMS OVER FASCIA VENTILATOR G1200N



DESCRIPTION

The G1200N Over Fascia Vent is designed to discreetly ensure a positive airflow into the roof space between the roof membrane or sarking and the fascia board.

FEATURES

- Free airflow of 10,000mm² per linear metre.
- Releases hot air from roof voids and eliminates condensation.
- Forms part of a passive ventilation system that works year round with no moving parts or energy consumption.
- Easy to install.
- Not visible as hidden by spouting/gutter.
- Insect proof - 4mm vents prevent ingress of nesting insects.

SCOPE OF USE

- In accordance with BS5250, Suitable for roof pitches >15°.
- In accordance with NCC 2019 Building Code of Australia, Vol 2, Part 3.8.7.4.b , Suitable for roof pitches >22° or 1/300.
- In accordance with Guide for Control of Condensation and Mould in Tasmanian Homes (CBOS vs 2), Suitable for roof pitches >16° or 1/300.
- Suitable for roof pitches >15°.
- Compatible with timber or metal fascia.
- Suitable for new builds or renovations.
- Should be used in conjunction with the VENT SYSTEMS Roll Panel Vent (G502) to ensure continuous and unimpeded airflow past the insulation.
- To be used as part of proprietary ventilation system.

WARRANTY

- 30 years

MAINTENANCE

- No maintenance requirements.

INSTALLATION

1. The G1200N Over Fascia Ventilator should be nailed or screwed to the top of the fascia board through the fixing holes provided along the full length of the eaves as shown.
2. For technical assistance contact the VENT SYSTEMS Systems technical team

VENT SYSTEMS OVER FASCIA VENTILATOR G1200N



Fig A: Traditional Roof - Sarking above the roof batten

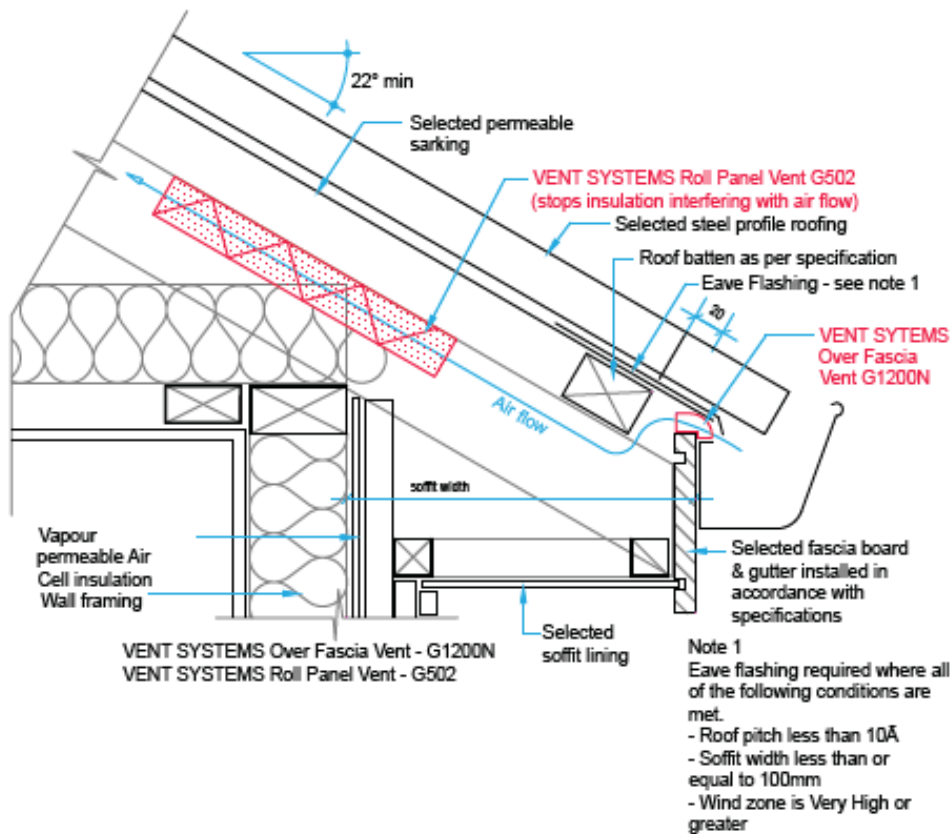


Fig B: Product Dimensions



VENT SYSTEMS OVER FASCIA VENTILATOR G1200N



Fig C: Traditional Roof - Sarking below the roof batten

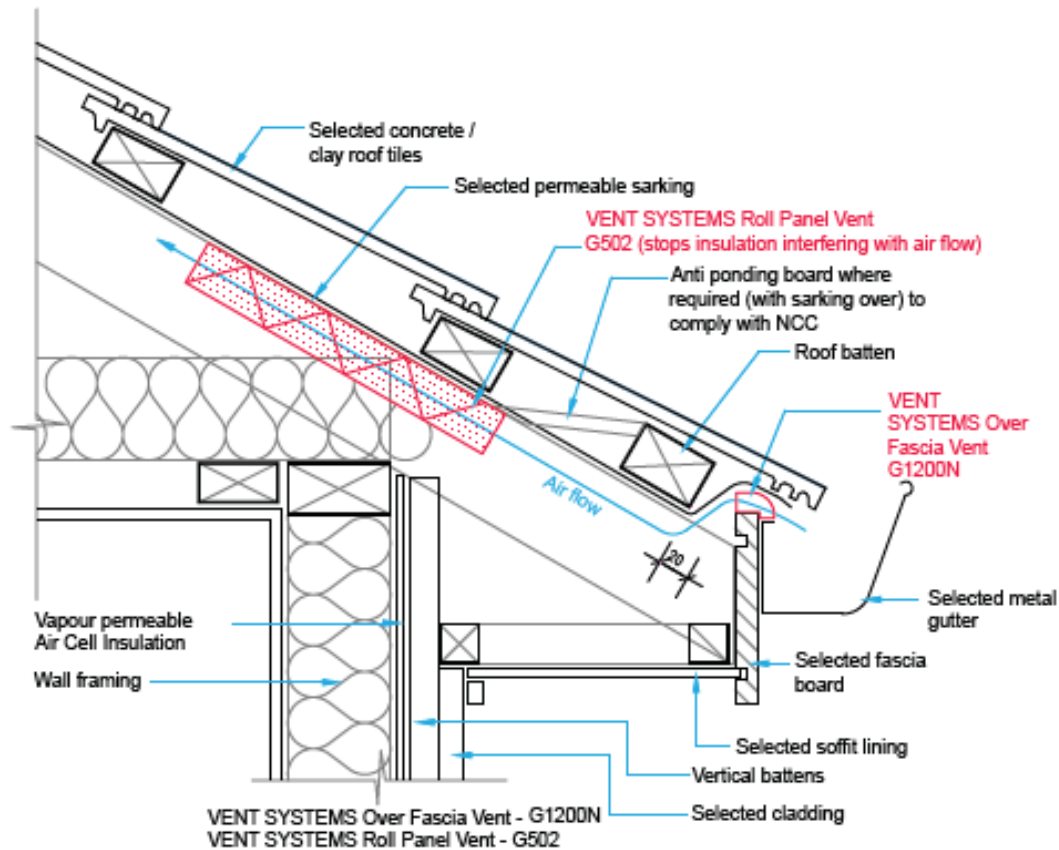
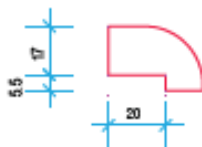


Fig D: VENT SYSTEM G1200N with VENT SYSTEMS Eaves Comb Filler - G1275



VENT SYSTEMS Over Fascia Vent - G1200N
Scale 1:2
(free air flow 10,000mm per lineal metre)



The company maintains a policy of continuous development of its product range and reserves the right to amend the specification without notice.

NOTE: Diagrams are for guidance purposes only. This is a suggested method of ventilation but the overall design and dimensions are the responsibility of the designer in compliance with the NCC, individual state requirements and AS3959 in bush fire prone areas.

VENT SYSTEMS SETTING THE FASCIA HEIGHT G1200N

PRODUCT INSTALLATION SHEET

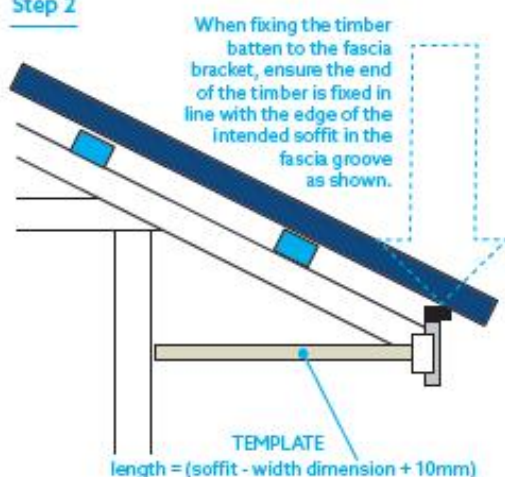
FOR BUILDERS & ROOFERS

Step 1 - Construct a Template

1. Cut a short section of fascia and attach a similar length of the proposed VENT SYSTEMS G1200N Over Fascia Vent over the top.
2. Attach proposed fixing plate to fascia.
3. Fix a length of timber batten (the width of the proposed soffit board +10mm) to the fixing plate

Step 2 - Temporarily fix 2 roof battens (light blue) over the trusses and lay a straight edge (dark blue) over the top to establish the finished fascia/vent height.

Step 2



The template example shown is for a 600mm wide soffit board. Consequently the timber batten is cut at 610mm and fixed to the fascia fixing plate as illustrated.

The template is then butted to the external wall frame, lifted horizontally up to the underside of the straight edge and the fixing plate can then be marked onto the truss end as shown in step 2.

Your fascia height is now set.

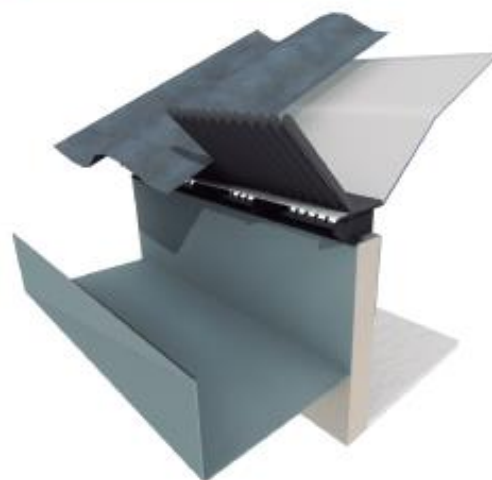
Note: For Cathedral roofs with a VB20 Ventilated batten fixed over the roof battens, the fascia height will be raised by 20mm.

FOR ARCHITECTS

- **Traditional Roof Design >22° (NCC) and >16° (CBOS)**
Spacing between top of fascia and underside of roof cladding required of up to 18mm to accommodate G1200N Over Fascia Vent.



Eaves comb filler G1275
+ Over Fascia Ventilator G1200N



VENT SYSTEMS OVER FASCIA VENTILATOR G2500N



DESCRIPTION

The VENT SYSTEMS G2500N Over Fascia Vent is designed to discreetly ensure a positive airflow into the roof space between the roof membrane or sarking and the fascia board.

FEATURES

- Free airflow of 25,000mm² per linear metre.
- Releases hot air from roof voids and eliminates condensation.
- Forms part of a passive ventilation system that works year round with no moving parts or energy consumption.
- Easy to install.
- Not visible as hidden by spouting/gutter.
- Insect proof - 4mm vents prevent ingress of nesting insects.

SCOPE OF USE

- In accordance with BS5250, Suitable for roof pitches <15° and any cathedral roof.
- In accordance with NCC 2019 Building Code of Australia, Vol 2, Part 3.8.7.4.b , Suitable for roof pitches <22° or 1/150.
- In accordance with Guide for Control of Condensation and Mould in Tasmanian Homes (CBOS vs 2), Suitable for roof pitches <16° or 1/150.

- Suitable for roof pitches < 15° and all Cathedral roofs.
- Compatible with timber or metal fascia.
- Suitable for new builds or renovations.
- Should be used in conjunction with the VENT SYSTEMS Roll Panel Vent (G502) for traditional roofs and VENT SYSTEMS Vented Batten (VB20) for cathedral roofs, to ensure continuous airflow past the insulation.
- To be used as part of proprietary ventilation system.

WARRANTY

- 30 years

MAINTENANCE

- No maintenance requirements.

INSTALLATION

1. The VENT SYSTEMS G2500N Over Fascia Ventilator should be nailed or screwed to the top of the fascia board through the fixing holes provided along the full length of the eaves as shown.
2. For technical assistance contact the VENT Systems technical team.

VENT SYSTEMS OVER FASCIA VENTILATOR G2500N



Fig A: Traditional Roof - Sarking below the roof batten

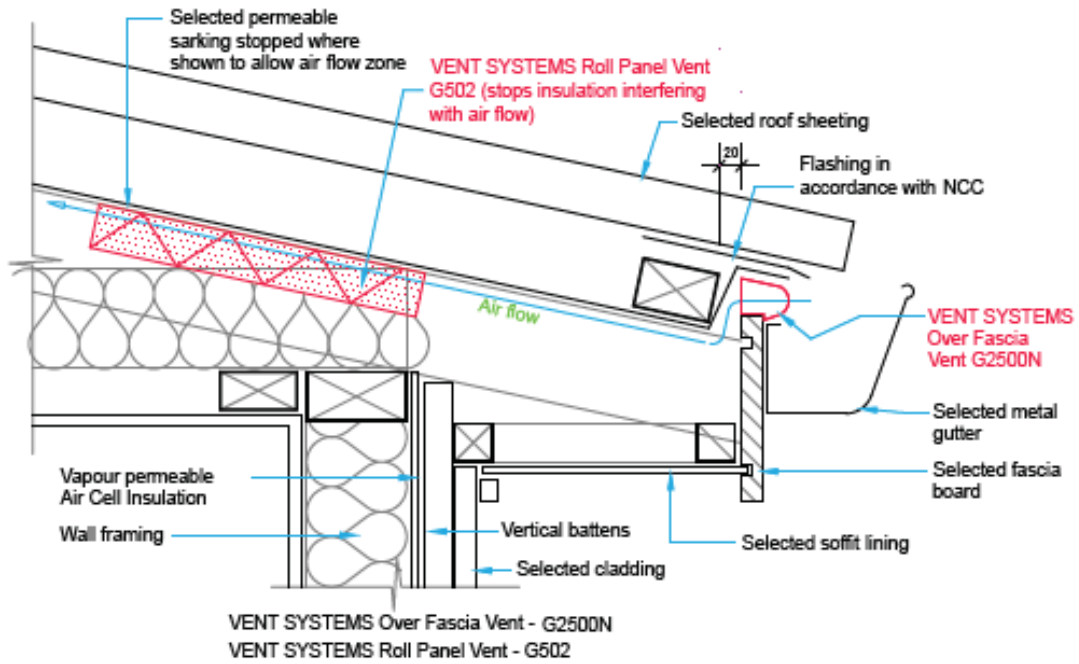
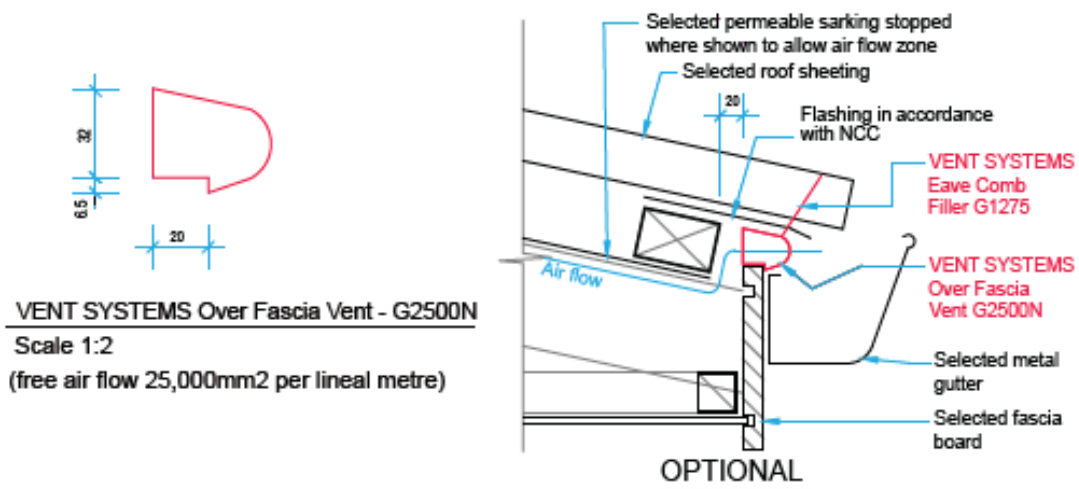


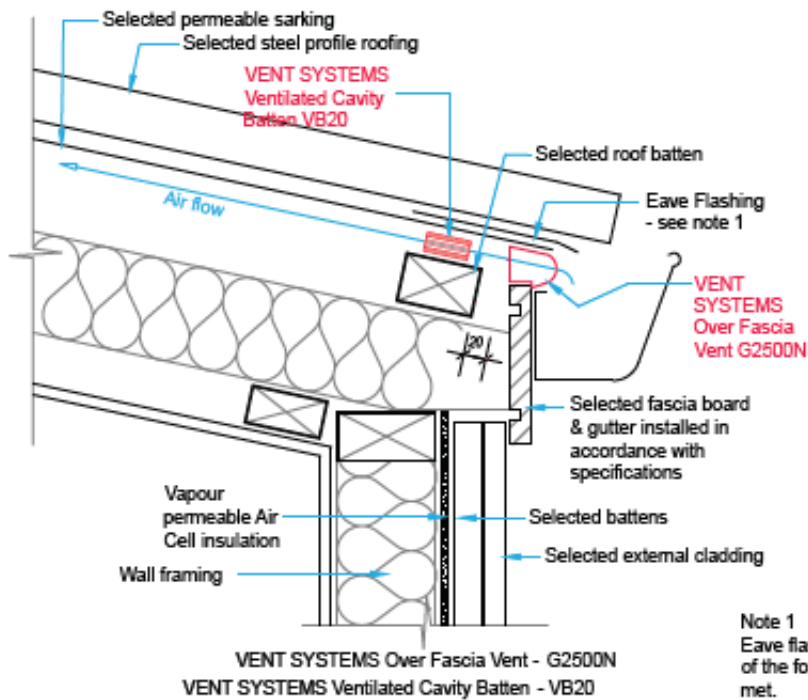
Fig B: Product dimensions



VENT SYSTEMS OVER FASCIA VENTILATOR G2500N

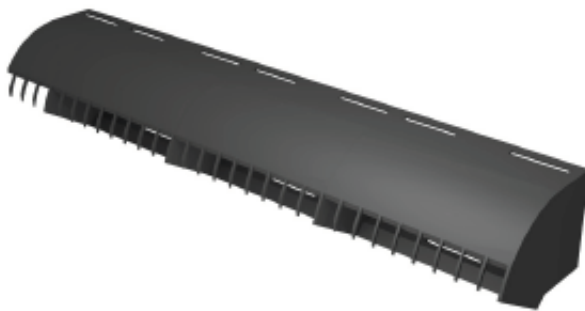


Fig C: Cathedral Roof - Sarking above the roof batten



VENT SYSTEMS Over Fascia Vent - G2500N
VENT SYSTEMS Ventilated Cavity Batten - VB20

Note 1
Eave flashing required where all of the following conditions are met.
- Roof pitch less than 10°
- Soffit width less than or equal to 100mm
- Wind zone is Very High or greater



VENT SYSTEMS SETTING THE FASCIA HEIGHT G2500N

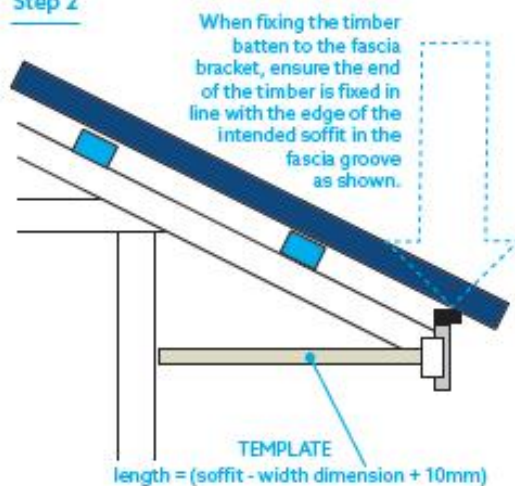
FOR BUILDERS & ROOFERS

Step 1 - Construct a Template

1. Cut a short section of fascia and attach a similar length of the proposed G2500N Over Fascia Vent over the top.
2. Attach proposed fixing plate to fascia.
3. Fix a length of timber batten (the width of the proposed soffit board +10mm) to the fixing plate

Step 2 - Temporarily fix 2 roof battens (light blue) over the trusses and lay a straight edge (dark blue) over the top to establish the finished fascia/vent height.

Step 2



The template example shown is for a 600mm wide soffit board. Consequently the timber batten is cut at 610mm and fixed to the fascia fixing plate as illustrated.

The template is then butted to the external wall frame, lifted horizontally up to the underside of the straight edge and the fixing plate can then be marked onto the truss end as shown in step 2.

Your fascia height is now set.

Note: For Cathedral roofs with a VB20 Ventilated batten fixed over the roof battens, the fascia height will be raised by 20mm.

FOR ARCHITECTS

- **Traditional Roof Design <22° (NCC) and <16° (CBOS) or any Cathedral Roof Design**
Fascia height to drop by 32mm to allow for G2500N VENT SYSTEMS Over Fascia Vent.



VENT SYSTEMS Over Fascia Ventilator G2500N

